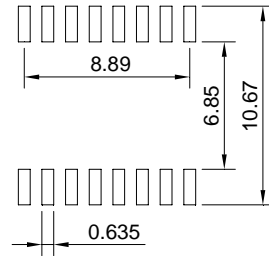
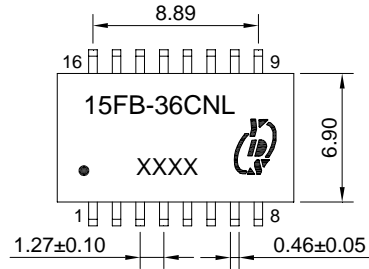
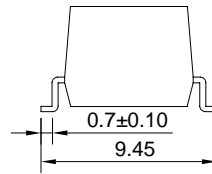
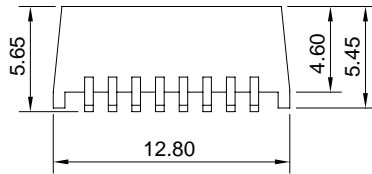


REV.	DESCRIPTION	DATE	DWN	AP'PD

一、Mechanicals Dimensions

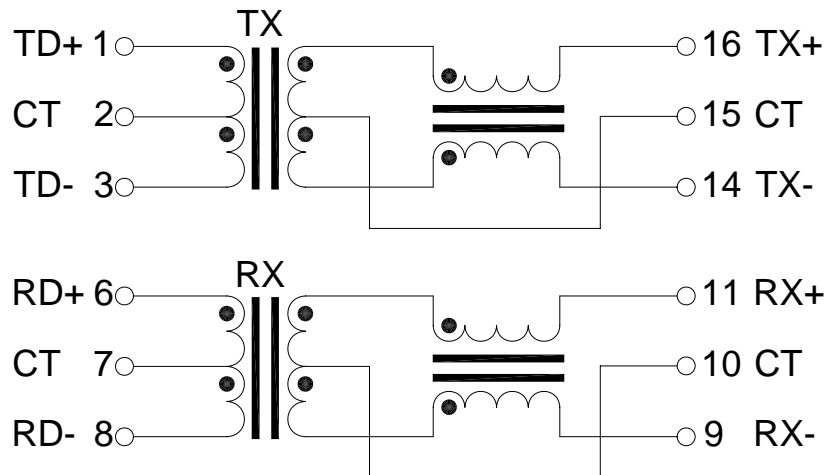


SUGGESTED PAD LAYOUT



UNIT:mm Unless otherwise specified,all tolerances are ± 0.25

二、Schematics



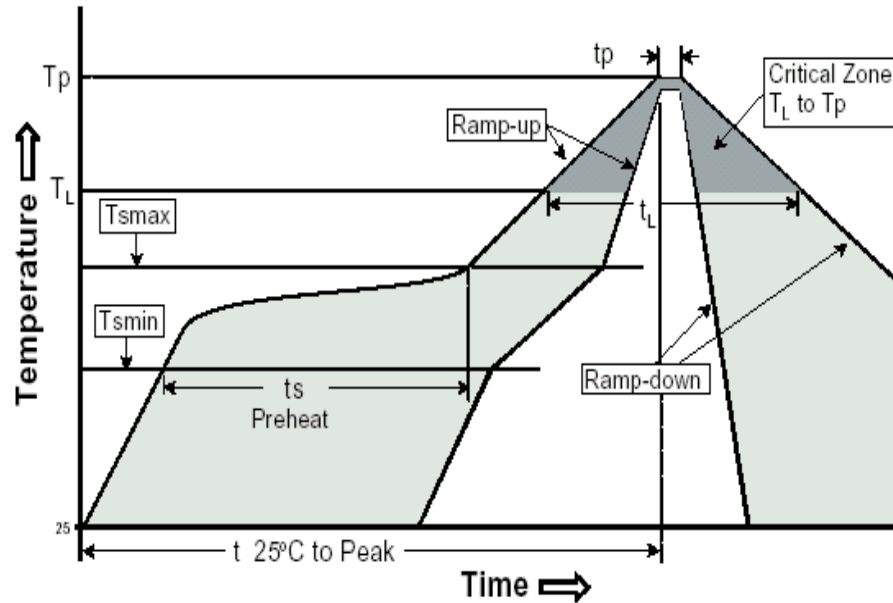
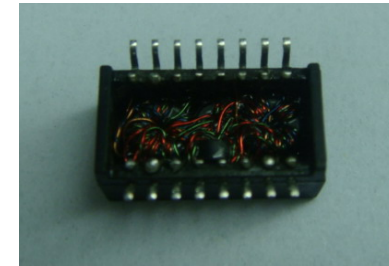
三、ELECTRICAL SPECIFICATIONS@25°C:

1. Turn Ratio($\pm 2\%$):1CT:1CT
2. OCL(100KHz/0.1V@8mA): 350uH MIN.
3. CWW(100KHz/0.1V):25pF MAX
4. Insertion Loss(dB MAX): -1.0dB(1-100MHz), -3.0dB(140MHz)
5. Return Loss(dB MIN): -16dB(5MHz), -16dB(30MHz), -13.5dB(40MHz),
-11.6dB(50MHz), -10dB(60MHz),-10dB(80MHz)
6. HI-POT: 1500Vrms
7. POE applications current capability:600mA
8. Operating Temperature: -40°C TO +85°C
9. RoHS compliance:YES

	元册科技股份有限公司 YUAN DEAN SCIENTIFIC CO., LTD.			
	TITLE	Power Over Ethernet(POE+)Magnetics 10/100Base-TX VoIP Magnetics Modules		
	P/N	15FB-36CNL	REV.	1.0
	PAGE NO	1-4	DATE	2011-7-19
	AP'PD	HuangTaiYuan	DWN	GuoHaiJin

四、Our RoHS parts just can withstand IR Reflow peak temperature: 245degC+/-5degC as the following profile:

REV.	DESCRIPTION	DATE	DWN	AP'PD



Profile Feature	Pb-Free Assembly
Average Ramp-Up Rate ($T_{s\ max}$ to T_p)	3°C /second max.
Preheat -Temperature Min ($T_{s\ min}$) -Temperature Max ($T_{s\ max}$) -Time ($t_{s\ min}$ to $t_{s\ max}$)	150°C 200°C 60-180 seconds
Time maintained above: -Temperature (T_L) -Time (t_L)	217°C 60-150 seconds
Peak/Classification Temperature (T_p)	245±5°C
Time within 5°C of actual Peak Temperature (t_p)	20-40 seconds
Ramp-Down Rate	6°C/seconds max
Time 25°C to Peak Temperature	6 minutes max.



元册科技股份有限公司

YUAN DEAN SCIENTIFIC CO., LTD.

TITLE

Power Over Ethernet(POE+)Magnetics
10/100Base-TX VoIP Magnetics Modules

P/N

15FB-36CNL

REV.

1.0

PAGE NO

2-4

DATE

2011-7-19

AP'PD

HuangTaiYuan

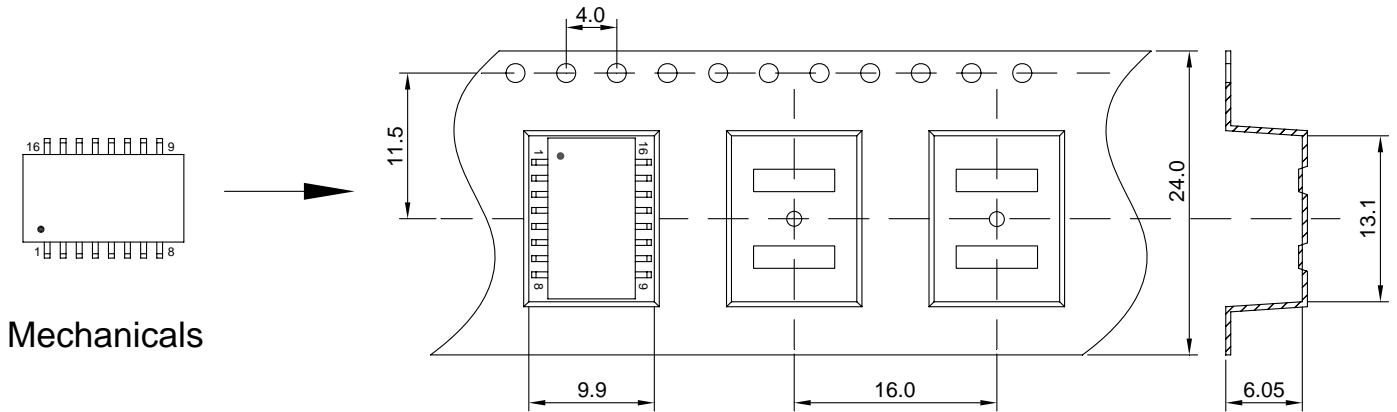
DWN

GuoHaiJin

五、 Packing Information:

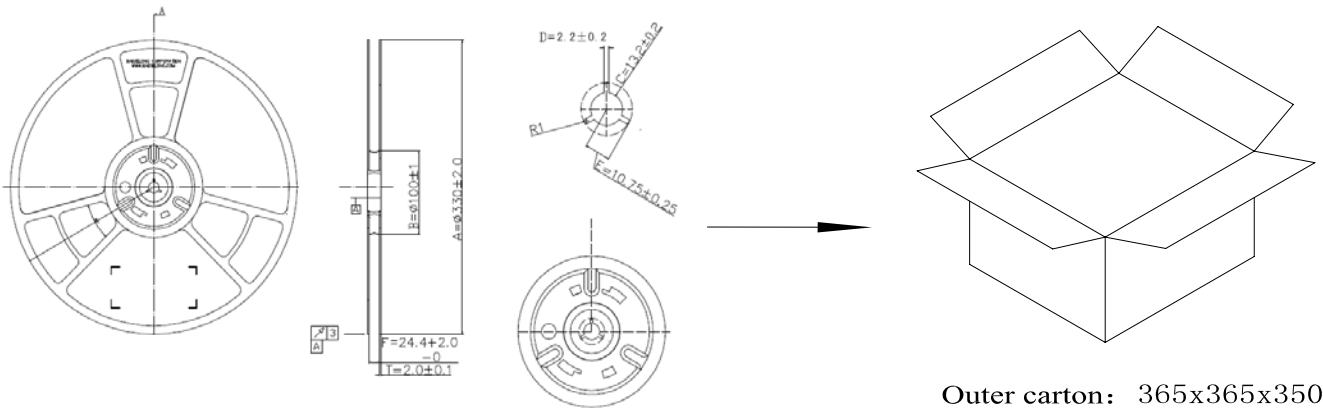
1. Weight-----0.7 grams/pcs
2. Tape & Reel----- 700 pcs
3. outer carton unit: 7000pcs/box
4. outer carton unit: 10 T&R/box
5. Weight: 10.5kg per carton

REV.	DESCRIPTION	DATE	DWN	AP'PD



Mechanicals

Tape & Reel



Outer carton: 365x365x350mm



元册科技股份有限公司

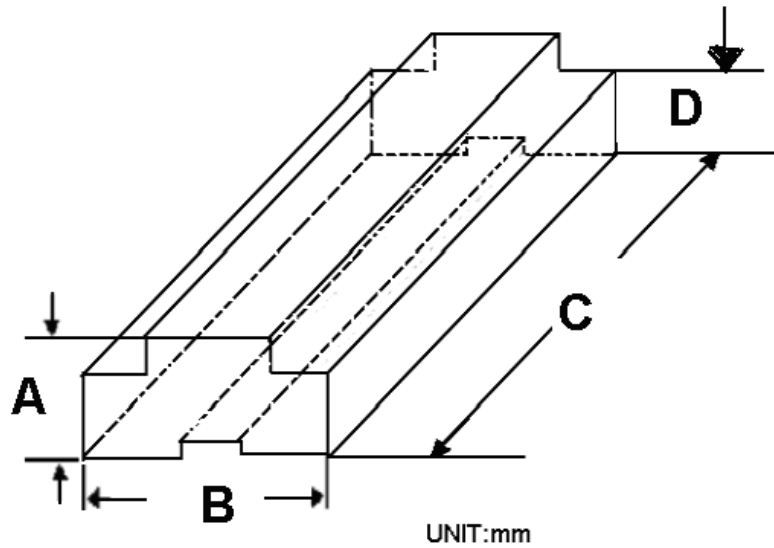
YUAN DEAN SCIENTIFIC CO., LTD.

TITLE	Power Over Ethernet(POE+)Magnetics 10/100Base-TX VoIP Magnetics Modules		
P/N	15FB-36CNL	REV.	1.0
PAGE NO	3-4	DATE	2011-7-19
AP'PD	HuangTaiYuan	DWN	GuoHaiJin

六、 Packing Information:

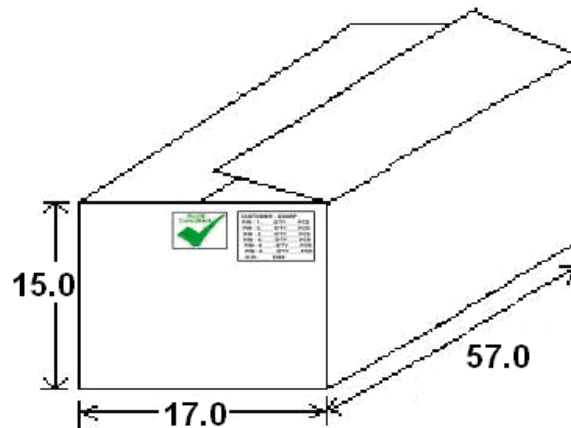
REV.	DESCRIPTION	DATE	DWN	AP'PD

- 1.Weight-----0.7 grams/pcs
2. TUBE ----- 36 pcs



Size(mm)			
A	B	C	D
9.20	13.70	485.0	6.0

3. outer carton unit: 3600pcs/box
4. outer carton unit: 100Tube /box
- 5.Weight: 5.2kg per carton



	元册科技股份有限公司 YUAN DEAN SCIENTIFIC CO., LTD.			
	TITLE		Power Over Ethernet(POE+)Magnetics 10/100Base-TX VoIP Magnetics Modules	
	P/N	15FB-36CNL	REV.	1.0
	PAGE NO	4-4	DATE	2011-7-19
AP'PD	HuangTaiYuan	DWN	GuoHaiJin	